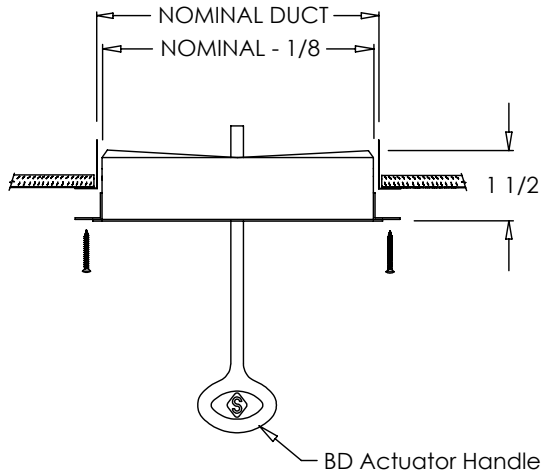


**Standard Features:**

- Accessory to the 90 Series
- Field installable bowtie damper with round ring
- Available in sizes 6, 8, 10, 12, & 14"
- Mill Finish

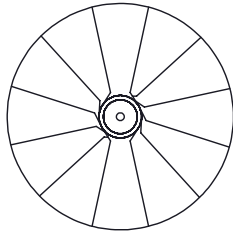


91

BD

Open

Closed



**Additional Information:**

**Submittal Notes**

Project / Location:

Engineer:

Architect:

Contractor: