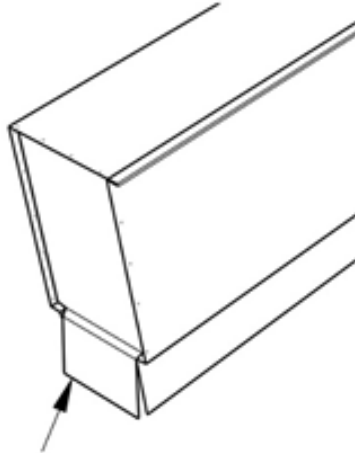


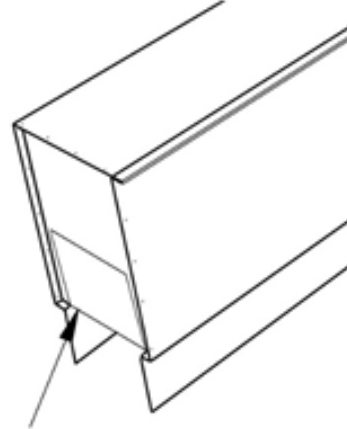
## Metal Plenum Install Instructions

Metal Plenums are available with LAB, LSD, and LJP products  
MODEL: Metal Plenum (DP, SDP)

### INSTRUCTIONAL SHEET FOR METAL PLENUM AIR GATES (DP - SDP)



AIR GATE PORTION OF END  
CAP IS NOT WELDED



FOR CONTINUOUS OR SHORT END CAP  
APPLICATIONS, SHARPLY BEND THE AIR  
GATE UP AND AGAINST THE TOP  
SECTION. THIS RESULTS IN 2 1/2" OF  
FREE SPACE FOR THE DIFFUSER TO  
PASS THROUGH

USED FOR INDIVIDUAL OR CONTINUOUS PLENUMS - ELIMINATES TIME CONSUMING MATCH UP REQUIREMENTS