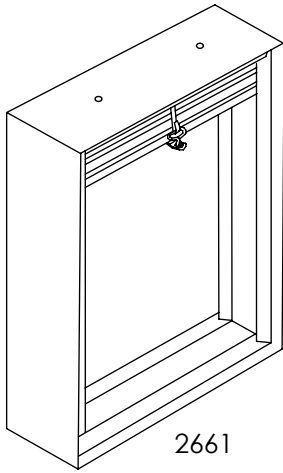
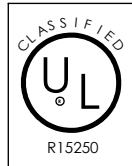


Fire Rated Submittal

Standard Frame 3 Hour Curtain-Type Fire Damper
 MODEL: 2661 Series



2661



Standard Features:

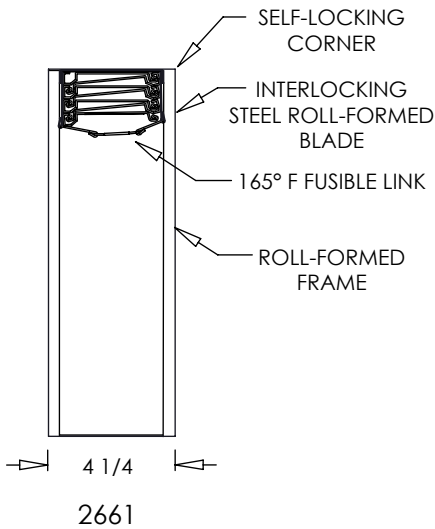
- Square or rectangular curtain-type fire damper for vertical mount only
- 4 1/4" standard roll formed frame
- Designed for use in wall, floors, and partitions with fire resistance ratings of 3 hours or less (for ceiling application, see 2700 Series)
- UL listed and tested in accordance with UL Standard 555
- 3 hour fire resistance rating
- Building materials rated 4 hours or less
- CSFM California State Fire Marshal listed
- Interlocking steel roll-formed blade
- Damper manufactured from corrosion tested galvanized mild steel (G-90)
- 165° replaceable fusible link (#50)
- Maximum dimensions 60" W, 60" H

Options:

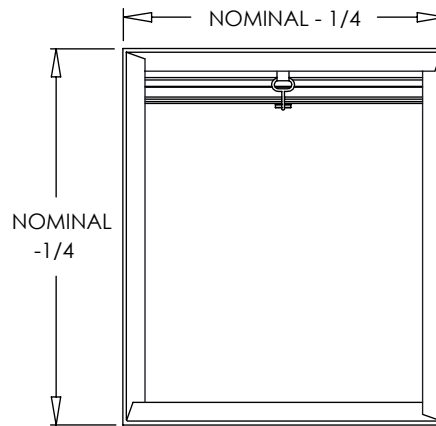
- Stainless steel
- Sleeves
- Fractional, exact O.D. dimensions
- 212° fusible link (#52)
- ETL link (#56)

Finishes:

- STANDARD COLORS
- Galvanized



2661



2661

Additional Information:

Submittal Notes

Project / Location:	
Engineer:	
Architect:	
Contractor:	