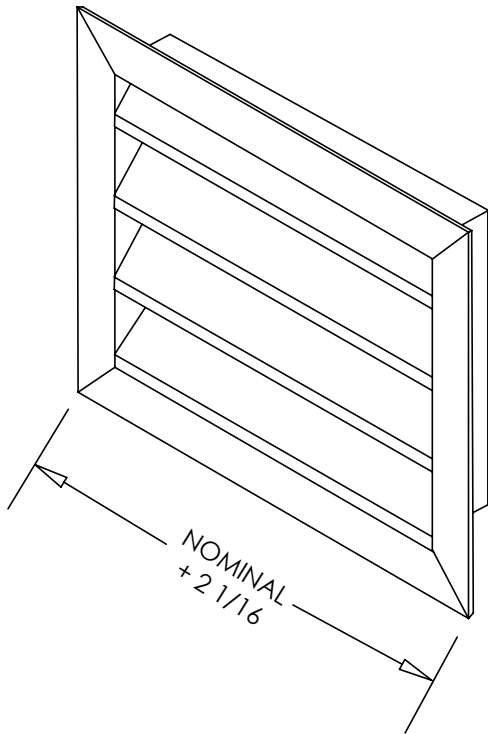


Damper Louver Submittal

Stationary 2" Outside Air Louver

MODEL: 4550 Series



Standard Features:

- Extruded aluminum construction
- Standard flange frame
- 2" depth
- Louvers set at 45° on 2" centers
- Storm bend on louvers to minimize water from entering behind louver
- Bird screen (1/2" x 1/2")
- Blades run parallel to first dimension given
- Minimum size 6"x6"
- Maximum one piece size 96"x60"
- Driftwood Tan

Options:

- Flush mount channel frame (4550-CF)
- Offset flange frame, must specify flange placement (4550-OF)
- Insect Screen (1/16" x 1/16") (4550-IS)
- Removable bird screen (4550-RS)
- Galvanneal steel construction
- Marine 12 gauge galvanneal construction with fully welded steel frame and louvers
- Fractional, exact I.D. and O.D. dimensions

Finishes:

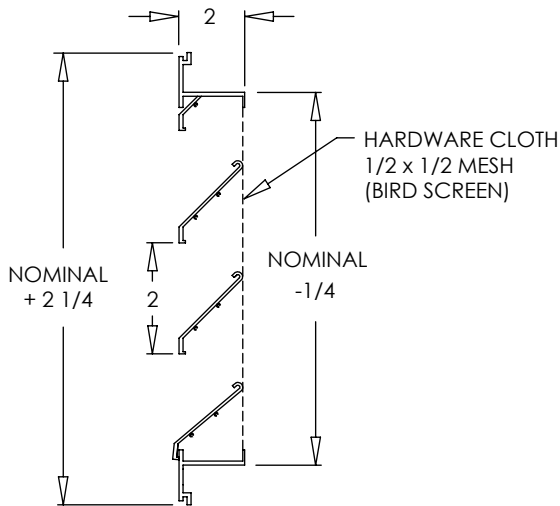
STANDARD COLORS

- Soft White
- Driftwood Tan
- Mill Finish

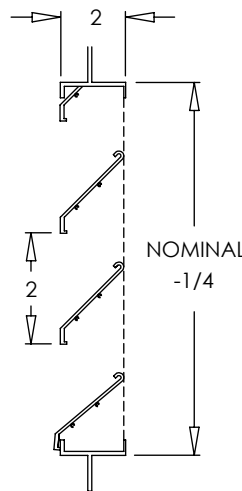
DESIGNER COLORS

- Black
- Bronze
- Storm Gray
- Cement Gray

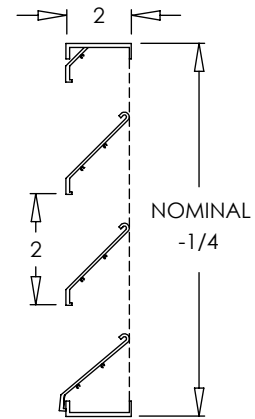
- Aluminum Paint
- Coffee Tan
- Warm White
- Glossy White



4550-FF
STANDARD



4550-OF



4550-CF

Additional Information:

Submittal Notes

Project / Location:	
Engineer:	
Architect:	
Contractor:	