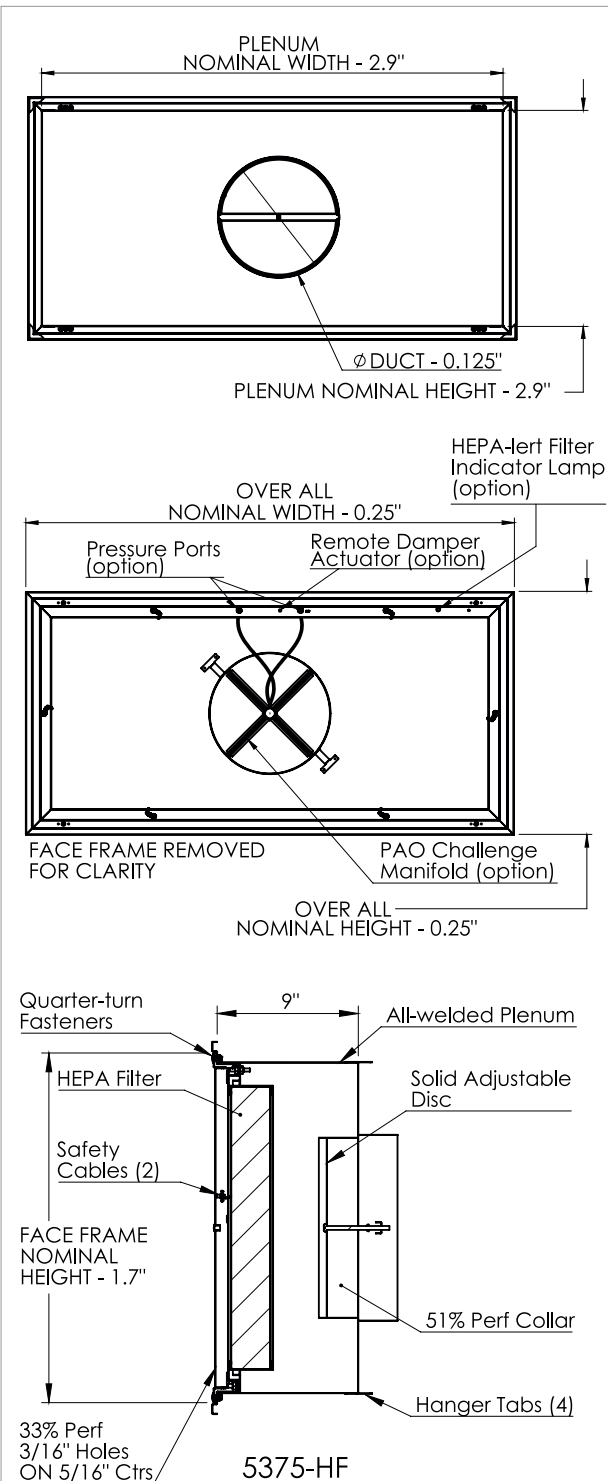


Commercial Submittal

High Capacity Laminar Flow Diffuser Panel with HEPA Filter

MODEL: 5375-HF



Standard Features:

- Type 304 stainless steel
- High capacity/airflow range design laminar flow diffuser
- Recommended velocity range 50-90 CFM/Sq. Ft.
- Perforated face design has 3/16" diameter holes on 5/16" staggered centers
- 33% Free Area
- HEPA Filter
- Integral pressure plate ensures true laminar airflow
- Produces non aspirating, low velocity vertical air pattern; providing controlled downward projection of conditioned supply air
- Built-in screwdriver adjustable damper disk for even distribution and field balancing accessed by removing face plug
- 100% shut off damper eliminates considerable time and effort involved in changing filters
- Removable face plate allows for easy cleaning; secured by 1/4 turn fasteners
- Standard unit designed for both lay-in T-Bar ceiling systems and surface mount applications
- Integral earthquake hanger tabs
- #4 satin polished finish

Options:

- Laminar Flow Diffuser (5300-HF)
- Medium Capacity Laminar Flow Diffuser (5350-HF)
- Without HEPA Rack 9" plenum (5375)
- Type 316 Stainless
- Aluminum construction
- (1) Pressure Port
- (2) Pressure Port
- PAO Challenge Manifold (requires 2 Pressure Ports)

Inlet Options:

- Side Inlet
- End Inlet
- Rectangle Inlet
- Oval Inlet

Filter Options:

- ULPA Filter

LED Indicator Options (alerts user when a filter change is necessary):

- Battery
- 24V Supply

Additional Information:

Submittal Notes

Project / Location:	
Engineer:	
Architect:	
Contractor:	