

Standard Features:

- Adjustable aluminum curved blades
- Nylon bushings on adjustable blades prevent metal on metal rattle
- Extruded aluminum surface mount frame with signature line marks
- Designed for one-way air deflection
- Fractional and exact sizes available
- Countersunk mounting holes with color matching Philips Posidriv screws
- Rust resistant pre-coat with durable powder finish
- Soft White

Options:

- Recessed screwdriver operated Opposed Blade Damper (CB10-0)
- 2" ADC compliant round collar with bead for ease of installation – available in square sizes only
- Concealed Mount (CM)
- MRI Compatible
- T-20 Tamper Proof Screws

Air Patterns:

- CB-10A
- CB-10B
- CB-10C

Finishes:

STANDARD COLORS

- Soft White
- Driftwood Tan
- Mill Finish

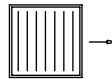
DESIGNER COLORS

- Black
- Bronze
- Storm Gray
- Cement Gray

- Aluminum Paint
- Coffee Tan
- Warm White
- Glossy White

CB10 Square Air Patterns:

10A

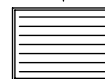


CB10 Rectangle Air Patterns:

10B



10C



Additional Information:

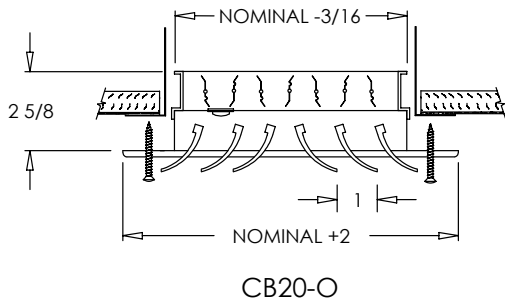
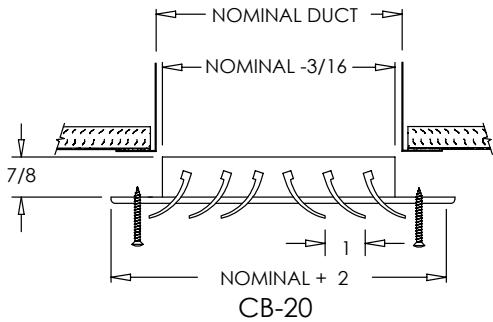
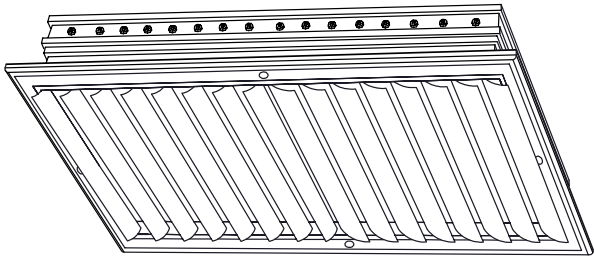
Submittal Notes

Project / Location:

Engineer:

Architect:

Contractor:



Standard Features:

- Adjustable aluminum curved blades
- Nylon bushings on adjustable blades prevent metal on metal rattle
- Extruded aluminum surface mount frame with signature line marks
- Designed for two-way air deflection
- Fractional and exact sizes available
- Countersunk mounting holes with color matching Philips Posidriv screws
- Rust resistant pre-coat with durable powder finish
- Soft White

Options:

- Recessed screwdriver operated Opposed Blade Damper (CB20-0)
- 2" ADC compliant round collar with bead for ease of installation – available in square sizes only
- Concealed Mount (CM)
- MRI Compatible
- T-20 Tamper Proof Screws

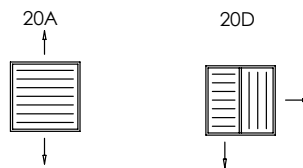
Air Patterns:

- | | |
|--------|--------|
| CB-20A | CB-20D |
| CB-20B | CB-20E |
| CB-20C | CB-20F |

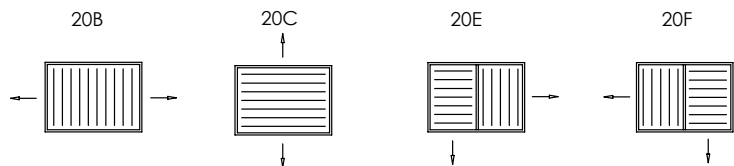
Finishes:

- | | | |
|--|--------------------------------------|---|
| STANDARD COLORS | DESIGNER COLORS | |
| <input type="checkbox"/> Soft White | <input type="checkbox"/> Black | <input type="checkbox"/> Aluminum Paint |
| <input type="checkbox"/> Driftwood Tan | <input type="checkbox"/> Bronze | <input type="checkbox"/> Coffee Tan |
| <input type="checkbox"/> Mill Finish | <input type="checkbox"/> Storm Gray | <input type="checkbox"/> Warm White |
| | <input type="checkbox"/> Cement Gray | <input type="checkbox"/> Glossy White |

CB20 Square Air Patterns:



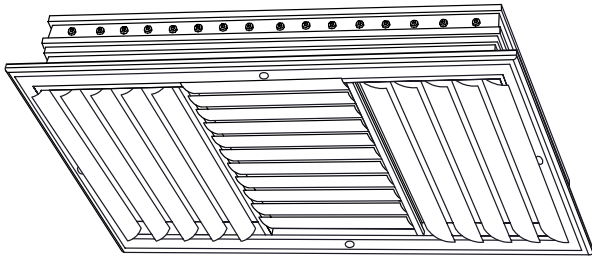
CB20 Rectangle Air Patterns:



Additional Information:

Submittal Notes

Project / Location:	
Engineer:	
Architect:	
Contractor:	



Standard Features:

- Adjustable aluminum curved blades
- Nylon bushings on adjustable blades prevent metal on metal rattle
- Extruded aluminum surface mount frame with signature line marks
- Designed for three-way air deflection
- Fractional and exact sizes available
- Countersunk mounting holes with color matching Philips Posidriv screws
- Rust resistant pre-coat with durable powder finish
- Soft White

Options:

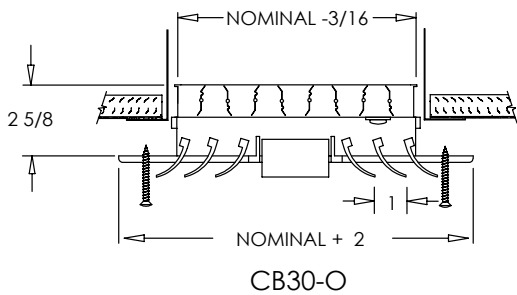
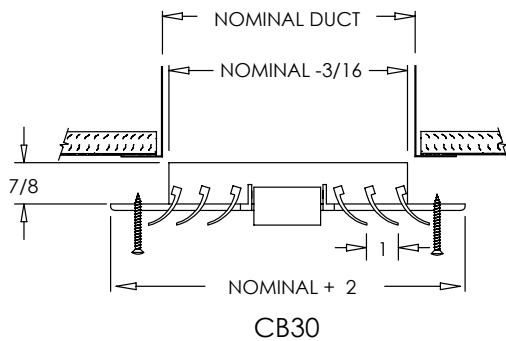
- Recessed screwdriver operated Opposed Blade Damper (CB30-0)
- 2" ADC compliant round collar with bead for ease of installation – available in square sizes only
- Concealed Mount (CM)
- MRI Compatible
- T-20 Tamper Proof Screws

Air Patterns:

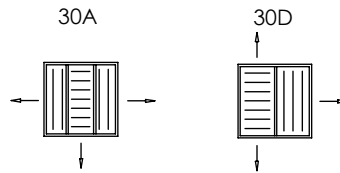
- | | |
|--------|--------|
| CB-30A | CB-30D |
| CB-30B | CB-30E |
| CB-30C | CB-30F |

Finishes:

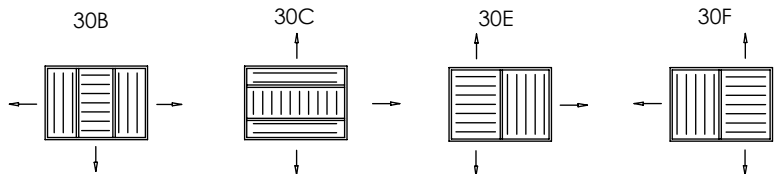
STANDARD COLORS	DESIGNER COLORS	
<input type="checkbox"/> Soft White	<input type="checkbox"/> Black	<input type="checkbox"/> Aluminum Paint
<input type="checkbox"/> Driftwood Tan	<input type="checkbox"/> Bronze	<input type="checkbox"/> Coffee Tan
<input type="checkbox"/> Mill Finish	<input type="checkbox"/> Storm Gray	<input type="checkbox"/> Warm White
	<input type="checkbox"/> Cement Gray	<input type="checkbox"/> Glossy White



CB30 Square Air Patterns:



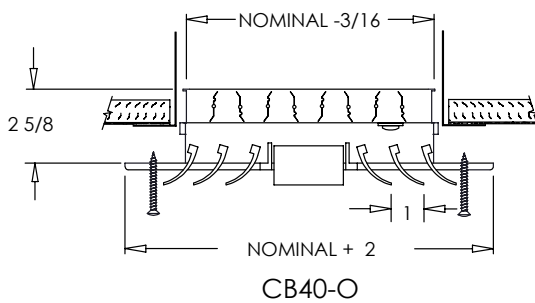
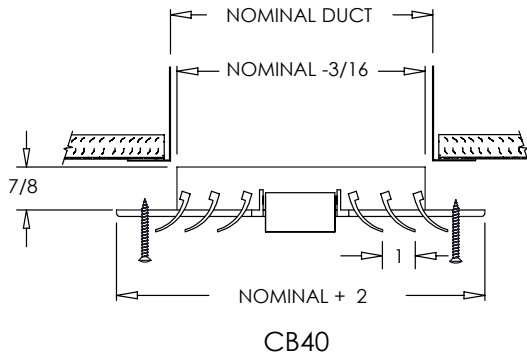
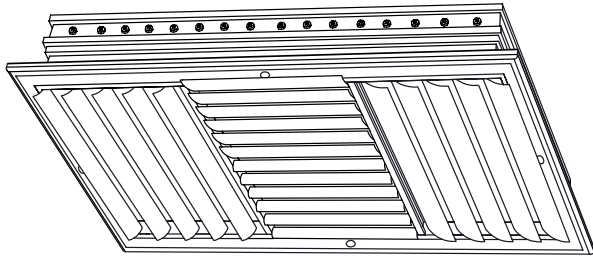
CB30 Rectangle Air Patterns:



Additional Information:

Submittal Notes

Project / Location:	
Engineer:	
Architect:	
Contractor:	



Standard Features:

- Adjustable aluminum curved blades
- Nylon bushings on adjustable blades prevent metal on metal rattle
- Extruded aluminum surface mount frame with signature line marks
- Designed for four-way air deflection
- Fractional and exact sizes available
- Countersunk mounting holes with color matching Philips Posidriv screws
- Rust resistant pre-coat with durable powder finish
- Soft White

Options:

- Recessed screwdriver operated Opposed Blade Damper (CB40-0)
- 2" ADC compliant round collar with bead for ease of installation – available in square sizes only
- Concealed Mount (CM)
- MRI Compatible
- T-20 Tamper Proof Screws

Air Patterns:

- CB-40A
- CB-40B
- CB-40C

Finishes:

STANDARD COLORS

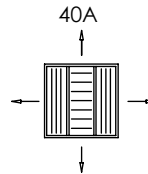
- Soft White
- Driftwood Tan
- Mill Finish

DESIGNER COLORS

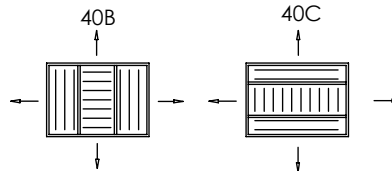
- Black
- Bronze
- Storm Gray
- Cement Gray

- Aluminum Paint
- Coffee Tan
- Warm White
- Glossy White

CB40 Square Air Patterns:



CB40 Rectangle Air Patterns:



Additional Information:

Submittal Notes

Project / Location:	
Engineer:	
Architect:	
Contractor:	