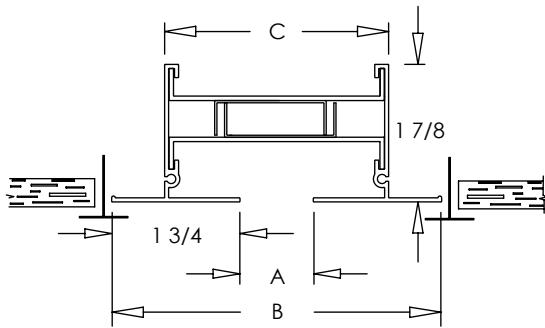
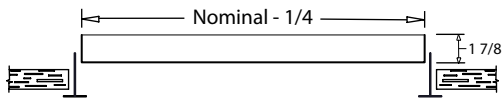
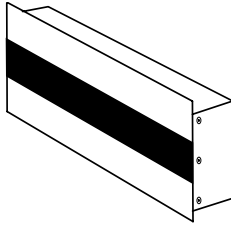


Linear Air Bar Diffuser Submittal

T-Bar – Wide Frame with Diffuser Only (Type 2)

MODEL: LAB-T2-DO



LAB-T2-DO
T-Bar Wide Frame

Standard Features:

- Air bar diffuser with versatile airflow capability
- T-Bar mounting frame style with 1 3/4" frame and flat end caps
- Allows for higher volume airflow while minimizing pressure loss
- Minimum length 6"
- Unlimited continuous sections available with butt joints
- Soft White

Manufacturing Requirements:

Length _____ feet inches

Supply – Adjustable split 2-piece Air Gate controllers for directional air volume control (LAB-T2-S)

Return – less Air Gates (LAB-T2-R)

Number of slots: 1 2

Slot Width: 1" 1 1/2" 2" 2 1/2" 3"

Options:

- Flanged end caps
- 90° Mitered corners

Finishes:

STANDARD COLORS

- Soft White
- Driftwood Tan
- Mill Finish

DESIGNER COLORS

- Black
- Bronze
- Storm Gray
- Cement Gray

- Aluminum Paint
- Coffee Tan
- Warm White
- Glossy White

Dimensions (in inches)

# OF SLOTS	SLOT WIDTH (A)	OVERALL WIDTH (B)	WIDTH OF BACK (C)
1	1	4 1/2	3 1/8
	1 1/2	5	3 5/8
	2	5 1/2	4 1/8
	2 1/2	6	4 5/8
	3	6 1/2	5 1/8
2	1	7 1/2	6 1/8
	1 1/2	8 1/2	7 1/8
	2	9 1/2	8 1/8
	2 1/2	10 1/2	9 1/8
	3	11 1/2	10 1/8

Note: ID lengths 1/4" undersized nominal

Additional Information:

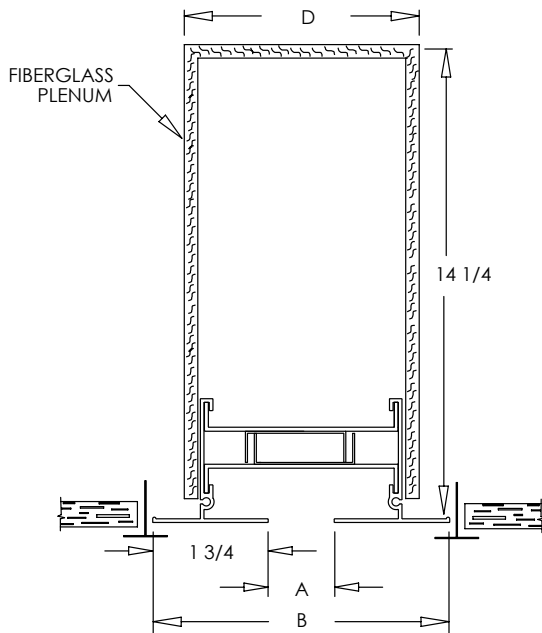
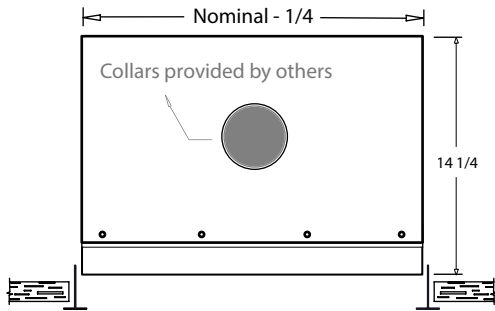
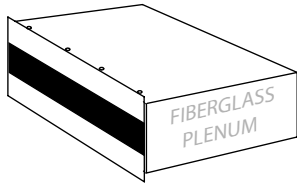
Submittal Notes

Project / Location:	
Engineer:	
Architect:	
Contractor:	

Linear Air Bar Diffuser Submittal

T-Bar – Wide Frame with Fiberglass Plenum (Type 2)

MODEL: LAB-T2-FP



LAB-T2-FP
T-Bar Wide Frame

Standard Features:

- Air bar diffuser with versatile airflow capability
- T-Bar mounting frame style with 1 3/4" frame and flat end caps
- Allows for higher volume airflow while minimizing pressure loss
- Rigid fiberglass plenum, allows for multiple locations of field installed spin in collar (collar provided by others)
- Fiberglass plenum ships installed on diffuser
- Minimum length 12"
- Unlimited continuous sections available with butt joints
- Soft White

Manufacturing Requirements:

Length _____ feet inches
 Supply – Adjustable split 2-piece Air Gate controllers for directional air volume control (LAB-T2-S)
 Return – less Air Gates (LAB-T2-R)
 Number of slots: 1 2
 Slot Width: 1" 1½" 2" 2½" 3"

Options:

- Flanged end caps
- 90° Mitered corners

Finishes:

STANDARD COLORS

- Soft White
- Driftwood Tan
- Mill Finish

DESIGNER COLORS

- Black
- Bronze
- Storm Gray
- Cement Gray

- Aluminum Paint
- Coffee Tan
- Warm White
- Glossy White

Dimensions (in inches)			
# OF SLOTS	SLOT WIDTH (A)	OVERALL WIDTH (B)	PLENUM WIDTH (D)
1	1	4 1/2	4 1/8
	1 1/2	5	4 5/8
	2	5 1/2	5 1/8
	2 1/2	6	5 5/8
	3	6 1/2	6 1/8
2	1	7 1/2	7 1/8
	1 1/2	8 1/2	8 1/8
	2	9 1/2	9 1/8
	2 1/2	10 1/2	10 1/8
	3	11 1/2	11 1/8

Note ID lengths 1/4" undersized nominal

Additional Information:

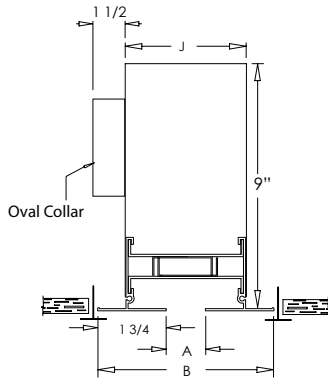
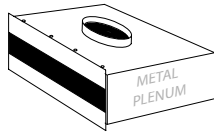
Submittal Notes

Project / Location:	
Engineer:	
Architect:	
Contractor:	

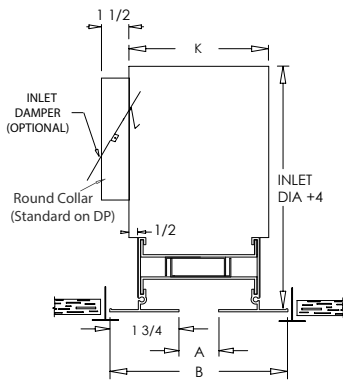
Linear Air Bar Diffuser Submittal

T-Bar – Wide Frame with Metal Plenum (Type 2)

MODEL: LAB-T2-SDP, LAB-T2-DP



LAB-T2-SDP
T-Bar Wide Frame



LAB-T2-DP
T-BAR WIDE FRAME

Dimensions (in inches)

# OF SLOTS	SLOT WIDTH (A)	OVERALL WIDTH (B)	SDP WIDTH (J)	DP WIDTH (K)
1	1	4 1/2	3 1/4	4 1/4
	1 1/2	5	3 3/4	4 3/4
	2	5 1/2	4 1/4	5 1/4
	2 1/2	6	4 3/4	5 3/4
	3	6 1/2	5 1/4	6 1/4
2	1	7 1/2	6 1/4	7 1/4
	1 1/2	8 1/2	7 1/4	8 1/4
	2	9 1/2	8 1/4	9 1/4
	2 1/2	10 1/2	9 1/4	10 1/4
	3	11 1/2	10 1/4	11 1/4

Note: Diffuser ID lengths 1/4" undersized nominal. Metal plenum manufactured to nominal dimensions. If duct opening is 48", plenum will be 48" and diffuser will be 47-3/4".

LINEAR AIR BAR DIFFUSER Standard Features:

- Air bar diffuser with versatile airflow capability
- T-Bar mounting frame style with 1 3/4" frame and flat end caps
- Allows for higher volume airflow while minimizing pressure loss
- Minimum length 12"
- Unlimited continuous sections available with butt joints
- Soft White

Manufacturing Requirements:

Length _____ feet _____ inches

Supply – Adjustable split 2-piece Air Gate controllers for directional air volume control (LAB-T2-S)

Return – less Air Gates (LAB-T2-R)

Number of slots: 1 2

Slot Width: 1" 1 1/2" 2" 2 1/2" 3"

Options:

- Flanged end caps
- 90° Mitered corners

Finishes:

- Soft White
- Mill Finish
- Driftwood Tan
- Designer Color _____

METAL PLENUM Standard Features:

- 24 gauge galvanized steel plenum
- Minimum length 12" and maximum single piece length is 6'
- Metal plenum ships separately from diffuser and requires field assembly

Manufacturing Requirements:

Short Distribution Plenum – SDP (standard, height set at 9")

Distribution Plenum – DP (height = inlet diameter + 4")

Internal insulation: 1/2" fiberglass (std) – L 1/2" fiberglass w/foil back– LEX Closed cell – C

External insulation: 1/2" fiberglass w/foil back (std) – EX 1" fiberglass – 1" – EX1

No insulation – N

Oval inlet sizes: 5" 6" 7" 8" 10" 12" 14" 16" (SDP and DP)

Round inlet sizes: 5" 6" 7" 8" 10" 12" 14" 16" (DP only)

No inlet (SDP and DP)

Options:

- Rod controlled damper
- Twist controlled damper
- Cord controlled damper
- Perforated steel baffle* – Type A - #69
- Solid steel baffle* – Type B - #70

*Optional performance baffles improve comfort in short throw applications by widening the spread of the discharge air

Additional Information:

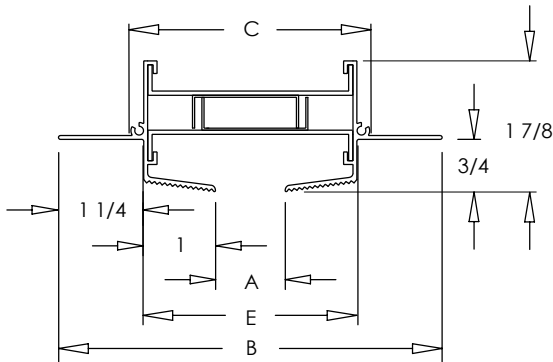
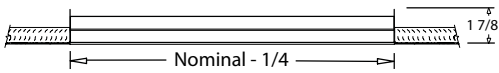
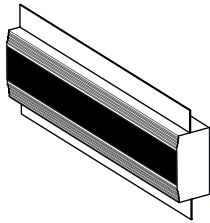
Submittal Notes

Project / Location:	
Engineer:	
Architect:	
Contractor:	

Linear Air Bar Diffuser Submittal

Tape & Mud Frame – Diffuser Only (Type 3)

MODEL: LAB-T3-DO



LAB-T3-DO
Tape and mud

Standard Features:

- Air bar diffuser with versatile airflow capability
- Tape & Mud flange for frameless and flush installation
- Allows for higher volume airflow while minimizing pressure loss
- Minimum length 6"
- Unlimited continuous sections available with butt joints
- Soft White

Manufacturing Requirements:

Length _____ feet inches

Supply – Adjustable split 2-piece Air Gate controllers for directional air volume control (LAB-T3-S)

Return – less Air Gates (LAB-T3-R)

Number of slots: 1 2

Slot Width: 1" 1 1/2" 2" 2 1/2" 3"

Options:

90° Mitered corners

Finishes: For LAB with 1 slot, only Soft White or Mill Finish is an available finish.

STANDARD COLORS

- Soft White
- Driftwood Tan
- Mill Finish

DESIGNER COLORS

- Black
- Bronze
- Storm Gray
- Cement Gray
- Aluminum Paint
- Coffee Tan
- Warm White
- Glossy White

Dimensions (in inches)				
# OF SLOTS	SLOT WIDTH (A)	OVERALL WIDTH (B)	WIDTH OF BACK (C)	OPENING WIDTH (E)
1	1	5 1/2	3 1/2	3 1/8
	1 1/2	6	4	3 5/8
	2	6 1/2	4 1/2	4 1/8
	2 1/2	7	5	4 5/8
	3	7 1/2	5 1/2	5 1/8
2	1	8 1/2	6 1/2	6 1/8
	1 1/2	9 1/2	7 1/2	7 1/8
	2	10 1/2	8 1/2	8 1/8
	2 1/2	11 1/2	9 1/2	9 1/8
	3	12 1/2	10 1/2	10 1/8

Note: ID lengths 1/4" undersized nominal

Additional Information:

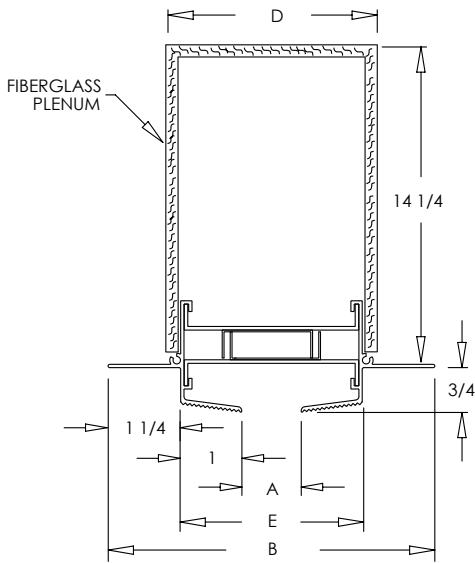
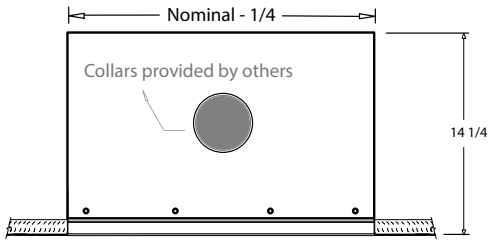
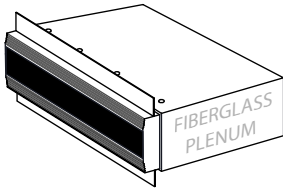
Submittal Notes

Project / Location:	
Engineer:	
Architect:	
Contractor:	

Linear Air Bar Diffuser Submittal

Tape & Mud Frame with Fiberglass Plenum (Type 3)

MODEL: LAB-T3-FP



LAB-T3-FP
Tape and mud

Standard Features:

- Air bar diffuser with versatile airflow capability
- Tape & Mud flange for frameless and flush installation
- Allows for higher volume airflow while minimizing pressure loss
- Rigid fiberglass plenum, allows for multiple locations of field installed spin in collar (collar provided by others)
- Fiberglass plenum ships installed on diffuser
- Minimum length 12"
- Unlimited continuous sections available with butt joints
- Soft White

Manufacturing Requirements:

Length _____ feet _____ inches

Supply – Adjustable split 2-piece Air Gate controllers for directional air volume control (LAB-T3-S)

Return – less Air Gates (LAB-T3-R)

Number of slots: 1 2

Slot Width: 1" 1½" 2" 2½" 3"

Options:

90° Mitered corners

Finishes: For LAB with 1 slot, only Soft White or Mill Finish is an available finish.

STANDARD COLORS

- Soft White
- Driftwood Tan
- Mill Finish

DESIGNER COLORS

- Black
- Bronze
- Storm Gray
- Cement Gray

- Aluminum Paint
- Coffee Tan
- Warm White
- Glossy White

Dimensions (in inches)				
# OF SLOTS	SLOT WIDTH (A)	OVERALL WIDTH (B)	PLENUM WIDTH (D)	OPENING WIDTH (E)
1	1	5 1/2	4 1/8	3 1/8
	1 1/2	6	4 5/8	3 5/8
	2	6 1/2	5 1/8	4 1/8
	2 1/2	7	5 5/8	4 5/8
	3	7 1/2	6 1/8	5 1/8
2	1	8 1/2	7 1/8	6 1/8
	1 1/2	9 1/2	8 1/8	7 1/8
	2	10 1/2	9 1/8	8 1/8
	2 1/2	11 1/2	10 1/8	9 1/8
	3	12 1/2	11 1/8	10 1/8

Note ID lengths 1/4" undersized nominal

Note:

The Type 3 Tape and Mud Flange is an effective and seamless mounting application for 1/2" or 5/8" drywall. Designed to create a frameless finished look. To install simply place diffuser in framed opening and screw through the flange to attach the product to the framed opening. Once secure, install sheetrock to cover flange and butt up to the frame's edges. Finish installing by taping and mudding the product and sheetrock to create the desired seamless finish.

Additional Information:

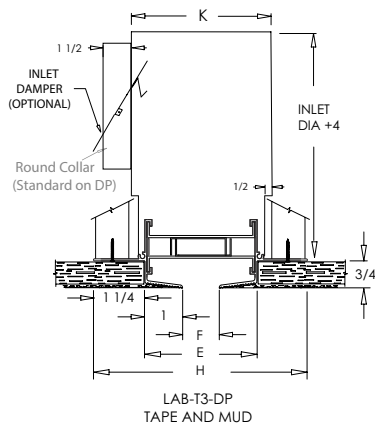
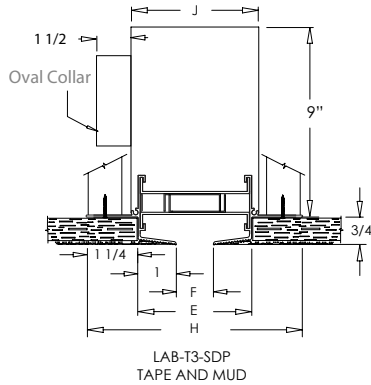
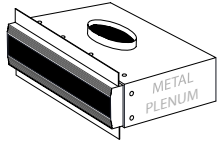
Submittal Notes

Project / Location:	
Engineer:	
Architect:	
Contractor:	

Linear Air Bar Diffuser Submittal

Tape & Mud Frame with Metal Plenum (Type 3)

MODEL: LAB-T3-SDP, LAB-T3-DP



LINEAR AIR BAR DIFFUSER Standard Features:

- Air bar diffuser with versatile airflow capability
- Tape & Mud flange for frameless and flush installation
- Allows for higher volume airflow while minimizing pressure loss
- Minimum length 12"
- Unlimited continuous sections available with butt joints
- Soft White

Manufacturing Requirements:

Length _____ feet _____ inches

Supply – Adjustable split 2-piece Air Gate controllers for directional air volume control (LAB-T3-S)

Return – less Air Gates (LAB-T3-R)

Number of slots: 1 2

Slot Width: 1" 1 1/2" 2" 2 1/2" 3"

Options:

Finishes: For LAB with 1 slot, only Soft White or Mill Finish is an available finish.

90° Mitered corners

Soft White

Mill Finish

Driftwood Tan

Designer Color _____

METAL PLENUM Standard Features:

- 24 gauge galvanized steel plenum
- Minimum length 12" and maximum single piece length is 6'
- Metal plenum ships separately from diffuser and requires field assembly

Manufacturing Requirements:

Short Distribution Plenum – SDP (standard, height set at 9")

Distribution Plenum – DP (height = inlet diameter + 4")

Internal insulation: 1/2" fiberglass (std) – L 1/2" fiberglass w/foil back – LEX
 Closed cell – C

External insulation: 1/2" fiberglass w/foil back (std) – EX
 1" fiberglass – 1" – EX1

No insulation – N

Oval inlet sizes: 5" 6" 7" 8" 10" 12" 14" 16" (SDP and DP)

Round inlet sizes: 5" 6" 7" 8" 10" 12" 14" 16" (DP only)

No inlet (SDP and DP)

Options:

*Optional performance baffles improve comfort in short throw applications by widening the spread of the discharge air

Damper: Rod Twist Cord

Perforated steel baffle* – Type A - #69

Solid steel baffle* – Type B - #70

Install Notes:

Metal Plenum must be installed before the diffuser is installed. The Type 3 Tape and Mud Flange is an effective and seamless mounting application for 1/2" or 5/8" drywall. Designed to create a frameless finished look. To install simply place diffuser in framed opening and screw through the flange to attach the product to the framed opening. Once secure, install sheetrock to cover flange and butt up to the frame's edges. Finish installing by taping and mudding the product and sheetrock to create the desired seamless finish.

Dimensions (in inches)

# OF SLOTS	SLOT WIDTH (F)	OVERALL WIDTH (H)	SDP WIDTH (J)	DP WIDTH (K)	OPENING WIDTH (E)
1	1	5 1/2	3 3/4	4 3/4	3 1/8
	1 1/2	6	4 1/4	5 1/4	3 5/8
	2	6 1/2	4 3/4	5 3/4	4 1/8
	2 1/2	7	5 1/4	6 1/4	4 5/8
	3	7 1/2	5 3/4	6 3/4	5 1/8
2	1	8 1/2	6 3/4	7 3/4	6 1/8
	1 1/2	9 1/2	7 3/4	8 3/4	7 1/8
	2	10 1/2	8 3/4	9 3/4	8 1/8
	2 1/2	11 1/2	9 3/4	10 3/4	9 1/8
	3	12 1/2	10 3/4	11 3/4	10 1/8

Note: Diffuser ID lengths 1/4" undersized nominal. Metal plenum manufactured to nominal dimensions. If duct opening is 48", plenum will be 48" and diffuser will be 47-3/4".

Additional Information:

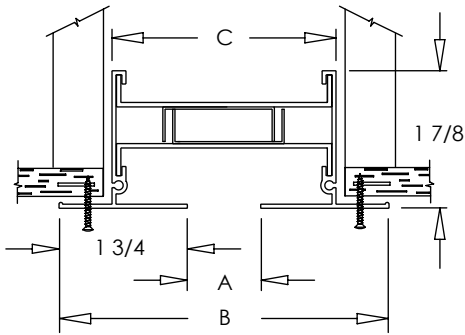
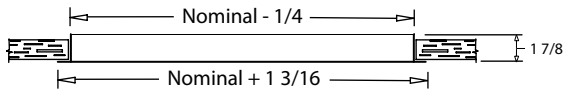
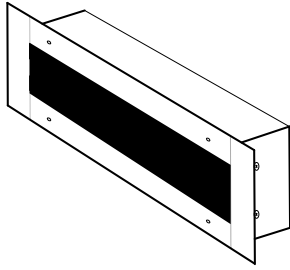
Submittal Notes

Project / Location:	
Engineer:	
Architect:	
Contractor:	

Linear Air Bar Diffuser Submittal

Surface Mount Frame – Diffuser Only (Type 4)

MODEL: LAB-T4-DO



LAB-T4-DO
Surface Mount

Standard Features:

- Air bar diffuser with versatile airflow capability
- Surface mount frame style with 1 3/4" flange. Countersunk mounting holes for flush appearance with flanged end caps and color matching Philips Pozidriv screws
- Allows for higher volume airflow while minimizing pressure loss
- Minimum length 6"
- Unlimited continuous sections available with butt joints
- Soft White

Manufacturing Requirements:

Length _____ feet _____ inches

Supply – Adjustable split 2-piece Air Gate controllers for directional air volume control (LAB-T4-S)

Return – less Air Gates (LAB-T4-R)

Number of slots: 1 2

Slot Width: 1" 1 1/2" 2" 2 1/2" 3"

Options:

Flat end caps

90° Mitered corners

Finishes:

STANDARD COLORS

- Soft White
- Driftwood Tan
- Mill Finish

DESIGNER COLORS

- Black
- Bronze
- Storm Gray
- Cement Gray

- Aluminum Paint
- Coffee Tan
- Warm White
- Glossy White

Dimensions (in inches)

# OF SLOTS	SLOT WIDTH (A)	OVERALL WIDTH (B)	WIDTH OF BACK (C)
1	1	4 1/2	3 1/8
	1 1/2	5	3 5/8
	2	5 1/2	4 1/8
	2 1/2	6	4 5/8
	3	6 1/2	5 1/8
2	1	7 1/2	6 1/8
	1 1/2	8 1/2	7 1/8
	2	9 1/2	8 1/8
	2 1/2	10 1/2	9 1/8
	3	11 1/2	10 1/8

Note ID lengths 1/4" undersized nominal

Additional Information:

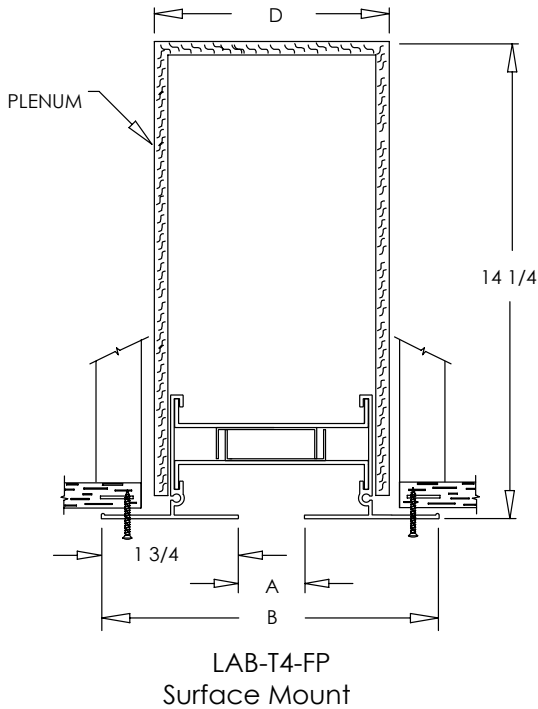
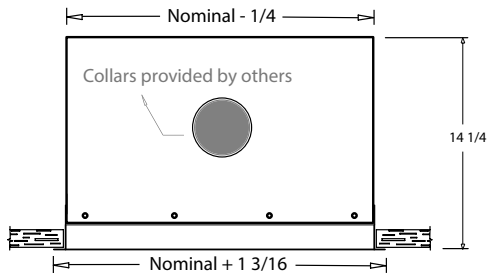
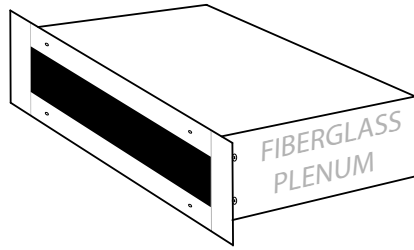
Submittal Notes

Project / Location:	
Engineer:	
Architect:	
Contractor:	

Linear Air Bar Diffuser Submittal

Surface Mount Frame with Fiberglass Plenum (Type 4)

MODEL: LAB-T4-FP



Standard Features:

- Air bar diffuser with versatile airflow capability
- Surface mount frame style with 1 3/4" flange. Countersunk mounting holes for flush appearance with flanged end caps and color matching Philips Pozidriv screws
- Allows for higher volume airflow while minimizing pressure loss
- Rigid fiberglass plenum, allows for multiple locations of field installed spin in collar (collar provided by others)
- Fiberglass plenum ships installed on diffuser
- Minimum length 12"
- Unlimited continuous sections available with butt joints
- Soft White

Manufacturing Requirements:

Length _____ feet _____ inches
 Supply – Adjustable split 2-piece Air Gate controllers for directional air volume control (LAB-T4-S)
 Return – less Air Gates (LAB-T4-R)
 Number of slots: 1 2
 Slot Width: 1" 1 1/2" 2" 2 1/2" 3"

Options:

- Flat end caps
- 90° Mitered corners

Finishes:

STANDARD COLORS

- Soft White
- Driftwood Tan
- Mill Finish

DESIGNER COLORS

- Black
- Bronze
- Storm Gray
- Cement Gray
- Aluminum Paint
- Coffee Tan
- Warm White
- Glossy White

Dimensions (in inches)			
# OF SLOTS	SLOT WIDTH (A)	OVERALL WIDTH (B)	WIDTH OF BACK (D)
1	1	4 1/2	4 1/8
	1 1/2	5	4 5/8
	2	5 1/2	5 1/8
	2 1/2	6	5 5/8
2	3	6 1/2	6 1/8
	1	7 1/2	7 1/8
	1 1/2	8 1/2	8 1/8
	2	9 1/2	9 1/8
	2 1/2	10 1/2	10 1/8
	3	11 1/2	11 1/8

Note: ID lengths 1/4" undersized nominal

Additional Information:

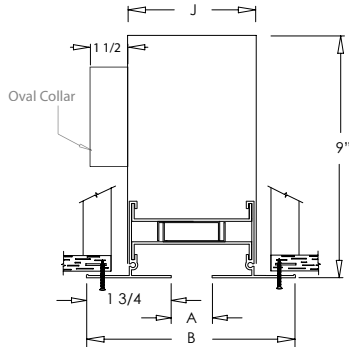
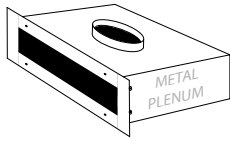
Submittal Notes

Project / Location:	
Engineer:	
Architect:	
Contractor:	

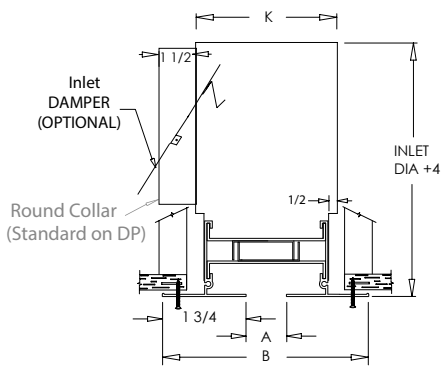
Linear Air Bar Diffuser Submittal

Surface Mount Frame with Metal Plenum (Type 4)

MODEL: LAB-T4-SDP, LAB-T4-DP



LAB-T4-SDP
SURFACE MOUNT



LAB-T4-DP
SURFACE MOUNT

Dimensions (in inches)

# OF SLOTS	SLOT WIDTH (A)	OVERALL WIDTH (B)	SDP WIDTH (J)	DP WIDTH (K)
1	1	4 1/2	3 1/8	4 1/8
	1 1/2	5	3 5/8	4 5/8
	2	5 1/2	4 1/8	5 1/8
	2 1/2	6	4 5/8	5 5/8
	3	6 1/2	5 1/8	6 1/8
2	1	7 1/2	6 1/8	7 1/8
	1 1/2	8 1/2	7 1/8	8 1/8
	2	9 1/2	8 1/8	9 1/8
	2 1/2	10 1/2	9 1/8	10 1/8
	3	11 1/2	10 1/8	11 1/8

Note: Diffuser ID lengths 1/4" undersized nominal. Metal plenum manufactured to nominal dimensions. If duct opening is 48", plenum will be 48" and diffuser will be 47-3/4".

LINEAR AIR BAR DIFFUSER Standard Features:

- Air bar diffuser with versatile airflow capability
- Surface mount frame style with 1 3/4" flange. Countersunk mounting holes for flush appearance with flanged end caps and color matching Philips Pozidriv screws
- Allows for higher volume airflow while minimizing pressure loss
- Minimum length 12"
- Unlimited continuous sections available with butt joints
- Soft White

Manufacturing Requirements:

Length _____ feet _____ inches

Supply – Adjustable split 2-piece Air Gate controllers for directional air volume control (LAB-T4-S)

Return – less Air Gates (LAB-T4-R)

Number of slots: 1 2

Slot Width: 1" 1 1/2" 2" 2 1/2" 3"

Options:

- Flat end caps
- 90° Mitered corners

Finishes:

- Soft White
- Mill Finish
- Driftwood Tan
- Designer Color _____

METAL PLENUM Standard Features:

- 24 gauge galvanized steel plenum
- Minimum length 12" and maximum single piece length is 6'
- Metal plenum ships separately from diffuser and requires field assembly

Manufacturing Requirements:

Short Distribution Plenum – SDP (standard, height set at 9")

Distribution Plenum – DP (height = inlet diameter + 4")

Internal insulation: 1/2" fiberglass (std) – L 1/2" fiberglass w/foil back– LEX Closed cell – C

External insulation: 1/2" fiberglass w/foil back (std) – EX 1" fiberglass – 1" – EX1

No insulation – N

Oval inlet sizes: 5" 6" 7" 8" 10" 12" 14" 16" (SDP and DP)

Round inlet sizes: 5" 6" 7" 8" 10" 12" 14" 16" (DP only)

No inlet (SDP and DP)

Options:

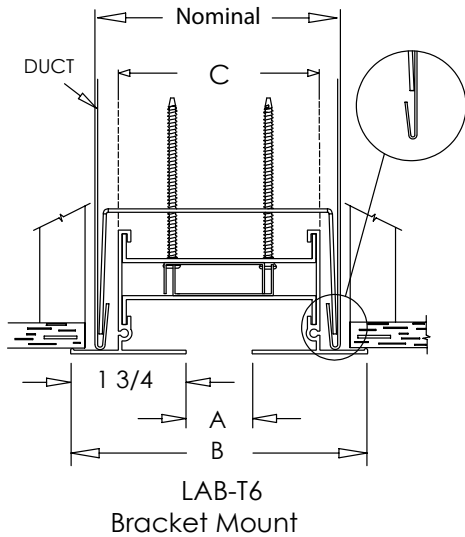
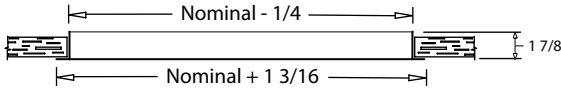
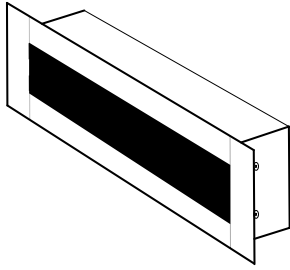
- Rod controlled damper
- Twist controlled damper
- Cord controlled damper
- Perforated steel baffle* – Type A - #69
- Solid steel baffle* – Type B - #70

*Optional performance baffles improve comfort in short throw applications by widening the spread of the discharge air

Additional Information:

Submittal Notes

Project / Location:	
Engineer:	
Architect:	
Contractor:	



Standard Features:

- Air bar diffuser with versatile airflow capability
- Duct Bracket mount frame style with 1 3/4" flange and flanged end caps
- Multiple fastening locations for each diffuser
- Allows for higher volume airflow while minimizing pressure loss
- Minimum length 6"
- Unlimited continuous sections available with butt joints
- Soft White

Manufacturing Requirements:

Length _____ feet inches

Supply – Adjustable split 2-piece Air Gate controllers for directional air volume control (LAB-T6-S)

Return – less Air Gates (LAB-T6-R)

Number of slots: 1 2

Slot Width: 1" 1 1/2" 2" 2 1/2" 3"

Options:

Flat end caps

90° Mitered corners

Finishes:

STANDARD COLORS

- Soft White
- Driftwood Tan
- Mill Finish

DESIGNER COLORS

- Black
- Bronze
- Storm Gray
- Cement Gray

- Aluminum Paint
- Coffee Tan
- Warm White
- Glossy White

Dimensions (in inches)

# OF SLOTS	SLOT WIDTH (A)	OVERALL WIDTH (B)	WIDTH OF BACK (C)
1	1	4 1/2	3 1/8
	1 1/2	5	3 5/8
	2	5 1/2	4 1/8
	2 1/2	6	4 5/8
	3	6 1/2	5 1/8
2	1	7 1/2	6 1/8
	1 1/2	8 1/2	7 1/8
	2	9 1/2	8 1/8
	2 1/2	10 1/2	9 1/8
	3	11 1/2	10 1/8

Note ID lengths 1/4" undersized nominal

Install Notes:

Plenum must be installed before diffuser install. The Type 6 Duct Mount is an effective and quick mounting mechanism. Attach the duct bracket to the LAB-T6 only tapping the fastening screws enough to hold the LAB-T6 and bracket together. Once the brackets have been attached to the LAB-T6 and the unit is set into place, the duct brackets will snap into position. The rolled edges of the duct support the duct bracket, holding it in place, while the fastening screws are threaded in the remainder of the way to pull the LAB-T6 tight to the finished surface. Duct brackets and mounting screws will ship with the LAB-T6.

Additional Information:

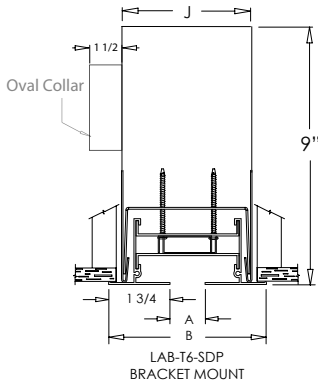
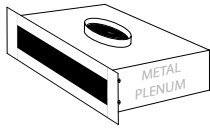
Submittal Notes

Project / Location:	
Engineer:	
Architect:	
Contractor:	

Linear Air Bar Diffuser Submittal

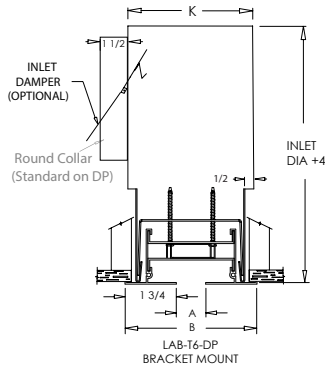
Duct Bracket Mount Frame with Metal Plenum (Type 6)

MODEL: LAB-T6-SDP, LAB-T6-DP



LAB-T6-SDP
BRACKET MOUNT

LAB-T6-SDP
BRACKET MOUNT



LAB-T6-DP
BRACKET MOUNT

LINEAR AIR BAR DIFFUSER Standard Features:

- Air bar diffuser with versatile airflow capability
- Duct Bracket mount frame style with 1 3/4" flange and flanged end caps
- Multiple fastening locations for each diffuser
- Allows for higher volume airflow while minimizing pressure loss
- Minimum length 12"
- Unlimited continuous sections available
- Soft White

Manufacturing Requirements:

Length _____ feet _____ inches

Supply – Adjustable split 2-piece Air Gate controllers for directional air volume control (LAB-T6-S)

Return – less Air Gates (LAB-T6-R)

Number of slots: 1 2

Slot Width: 1" 1 1/2" 2" 2 1/2" 3"

Options:

- Flat end caps
- 90° Mitered corners

Finishes:

- Soft White
- Mill Finish
- Driftwood Tan
- Designer Color _____

METAL PLENUM Standard Features:

- 24 gauge galvanized steel plenum, with hemmed rail
- Minimum length 12" and maximum single piece length is 6'
- Metal plenum ships separately from diffuser and requires field assembly

Manufacturing Requirements:

Short Distribution Plenum – SDP (standard, height set at 9")

Distribution Plenum – DP (height = inlet diameter + 4")

Internal insulation: 1/2" fiberglass (std) – L 1/2" fiberglass w/foil back– LEX
 Closed cell – C

External insulation: 1/2" fiberglass w/foil back (std) – EX
 1" fiberglass – 1" – EX1

No insulation – N

Oval inlet sizes: 5" 6" 7" 8" 10" 12" 14" 16" (SDP and DP)

Round inlet sizes: 5" 6" 7" 8" 10" 12" 14" 16" (DP only)

No inlet (SDP and DP)

Options:

- Damper: Rod Twist Cord
- Perforated steel baffle* – Type A - #69
- Solid steel baffle* – Type B - #70
- *Optional performance baffles improve comfort in short throw applications by widening the spread of the discharge air

Install Notes:

Metal Plenum must be installed before the diffuser is installed. The Type 6 Duct Mount is an effective and quick mounting mechanism. Attach the duct bracket to the LAB-T6 only tapping the fastening screws enough to hold the LAB-T6 and bracket together. Once the brackets have been attached to the LAB-T6 and the unit is set into place, the duct brackets will snap into position. The rolled edges of the duct support the duct bracket, holding it in place, while the fastening screws are threaded in the remainder of the way to pull the LAB-T6 tight to the finished surface. Duct brackets and mounting screws will ship with the LAB-T6.

Dimensions (in inches)

# OF SLOTS	SLOT WIDTH (A)	OVERALL WIDTH (B)	SDP WIDTH (J)	DP WIDTH (K)
1	1	4 1/2	3 3/4	4 3/4
	1 1/2	5	4 1/4	5 1/4
	2	5 1/2	4 3/4	5 3/4
	2 1/2	6	5 1/4	6 1/4
2	3	6 1/2	5 3/4	6 3/4
	1	7 1/2	6 3/4	7 3/4
	1 1/2	8 1/2	7 3/4	8 3/4
	2	9 1/2	8 3/4	9 3/4
	2 1/2	10 1/2	9 3/4	10 3/4
	3	11 1/2	10 3/4	11 3/4

Note: Diffuser ID lengths 1/4" undersized nominal. Metal plenum manufactured to nominal dimensions. If duct opening is 48", plenum will be 48" and diffuser will be 47-3/4".

Additional Information:

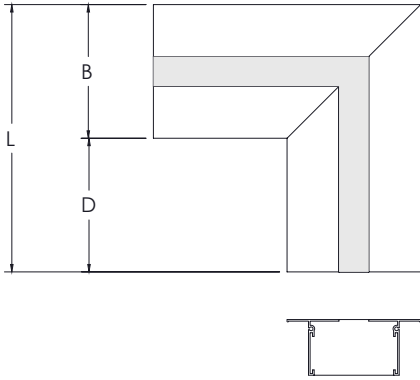
Submittal Notes

Project / Location:	
Engineer:	
Architect:	
Contractor:	

Commercial Submittal

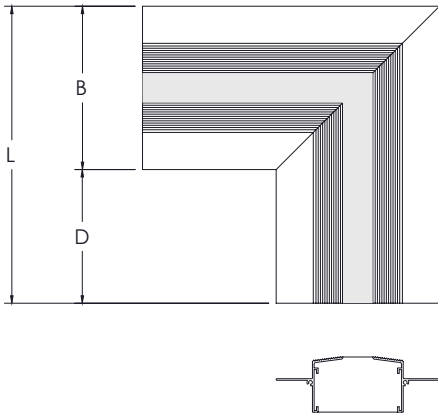
Mitered Corner Linear Air Bar (1 Slot Configuration)

LAB Mitered Corner
 1 Slot Types 2, 4



Dimensions (in inches)			
Type 2, 4			
SLOT WIDTH	(L)	(B)	(D)
1	9	4 1/2	4 1/2
1 1/2	9	5	4
2	9	5 1/2	3 1/2
2 1/2	9	6	3
3	9	6 1/2	2 1/2

LAB Mitered Corner
 1 Slot Type 3



Dimensions (in inches)			
Type 3			
SLOT WIDTH	(L)	(B)	(D)
1	10	5 1/2	4 1/2
1 1/2	10	6	4
2	10	6 1/2	3 1/2
2 1/2	10	7	3
3	10	7 1/2	2 1/2

Additional Information:

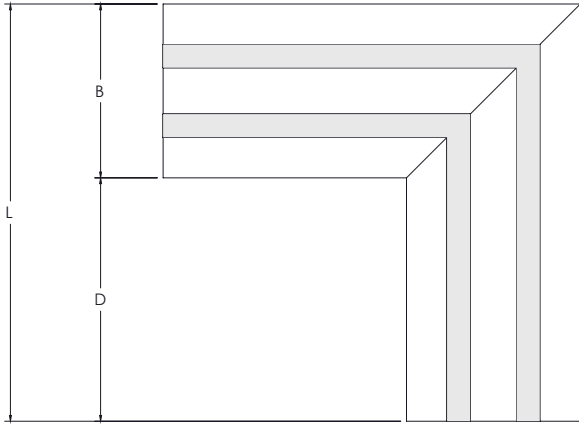
Submittal Notes

Project / Location:	
Engineer:	
Architect:	
Contractor:	

Commercial Submittal

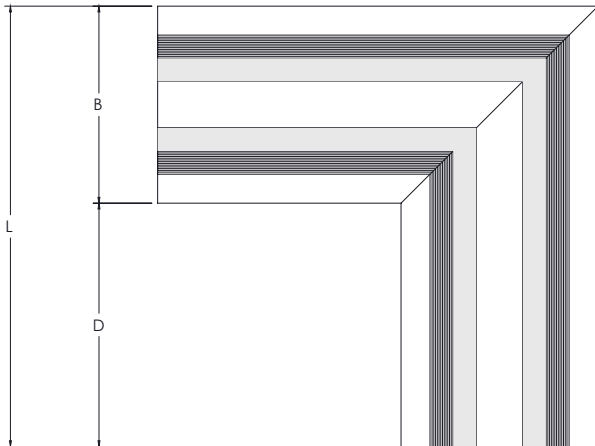
Mitered Corner Linear Air Bar (2 Slot Configuration)

LAB Mitered Corner
 2 Slot Types 2, 4



Dimensions (in inches)			
Type 2, 4			
SLOT WIDTH	(L)	(B)	(D)
1	18	7 1/2	10 1/2
1 1/2	18	8 1/2	9 1/2
2	18	9 1/2	8 1/2
2 1/2	18	10 1/2	7 1/2
3	18	11 1/2	6 1/2

LAB Mitered Corner
 2 Slot Type 3



Dimensions (in inches)			
Type 3			
SLOT WIDTH	(L)	(B)	(D)
1	19	8 1/2	10 1/2
1 1/2	19	9 1/2	9 1/2
2	19	10 1/2	8 1/2
2 1/2	19	11 1/2	7 1/2
3	19	12 1/2	6 1/2

Additional Information:

Submittal Notes

Project / Location:	
Engineer:	
Architect:	
Contractor:	