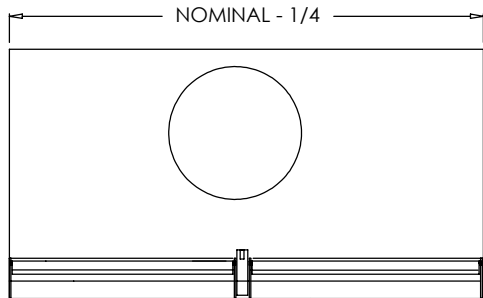
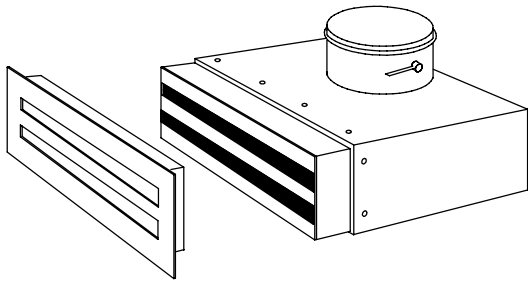


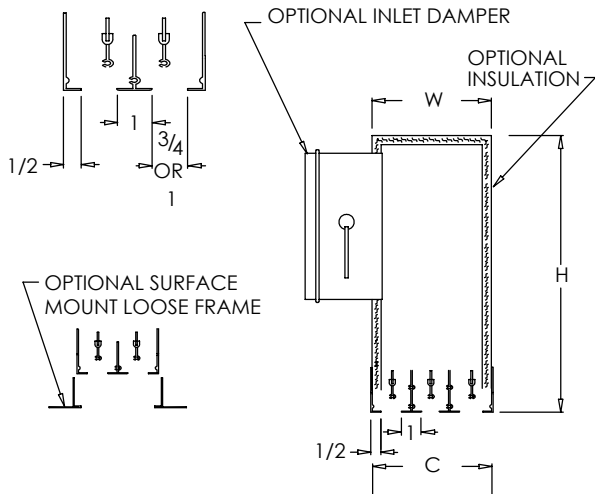
# Commercial Submittal

## Stainless Steel Linear Slot Diffuser

MODEL: LSD-SS



LSD-SS



LSD-SS

### Standard Features:

- Type 304 Stainless steel
- 1" fixed center T's
- Available in multiple lengths
- Perforations added to enhance performance so air diffuses equally across the slots
- Felt wiper air seal
- Satin polished finish

### Manufacturing Requirements:

Length \_\_\_\_\_ feet inches

Supply – Air pattern deflector

Return – less pattern deflector

Number of slots: 1 2 3 4 5 6 7 8 9 10  
 11 12 13 14 15 16 17 18

Slot Width: 1/2" 3/4" 1" 1 1/2"

### Plenum Options:

No Plenum

Stainless Steel Plenum

Internal Insulation on all four sides

Inlet Damper

Inlet

No Inlet

Oval inlet sizes: 10" 12"

Round inlet sizes: 6" 8" 10" 12"

### Options:

Type 316 Stainless

1 1/2" blade centers

### T Options:

One side T furnished

Both side T's furnished

One pair of TC clips furnished

### Application Type Mount:

Surface Mount (standard)

T-Bar Mount - Flanged with no screw holes

### Plenum Dimensions (in inches)

NOMINAL OUTLET SIZE	INLET WIDTH	INLET HEIGHT	PLENUM HEIGHT
6" Round	5 7/8"	5 7/8"	11 5/8"
8" Round	7 7/8"	7 7/8"	11 5/8"
10" Oval	11 1/2"	8"	11 5/8"
10" Round	9 7/8"	9 7/8"	13 5/8"
12" Oval	13 7/8"	9 9/16"	13 5/8"
12" Round	11 7/8"	11 7/8"	15 5/8"

Note: For sizing not shown, please contact Shoemaker Manufacturing.

Continued next page.

### Additional Information:

### Submittal Notes

Project / Location:	
Engineer:	
Architect:	
Contractor:	

T-Bar Dimensions (in inches)			
# OF SLOTS	SLOT WIDTH (F)	OVERALL WIDTH (C)	WIDTH OF BACK OF PLENUM (W)
1	1/2"	1 7/8"	1 5/8"
	3/4"	2 1/8"	1 7/8"
	1"	2 3/8"	2 1/8"
	1 1/2"	2 7/8"	2 5/8"
2	1/2"	3 3/8"	3 1/8"
	3/4"	3 7/8"	3 5/8"
	1"	4 3/8"	4 1/8"
	1 1/2"	5 3/8"	5 1/8"
3	1/2"	4 7/8"	4 5/8"
	3/4"	5 5/8"	5 3/8"
	1"	6 3/8"	6 1/8"
	1 1/2"	7 7/8"	7 5/8"
4	1/2"	6 3/8"	6 1/8"
	3/4"	7 3/8"	7 1/8"
	1"	8 3/8"	8 1/8"
	1 1/2"	10 3/8"	10 1/8"
6	1/2"	9 3/8"	9 1/8"
	3/4"	10 7/8"	10 5/8"
	1"	12 3/8"	12 1/8"
	1 1/2"	15 3/8"	15 1/8"
8	1/2"	12 3/8"	12 1/8"
	3/4"	14 3/8"	14 1/8"
	1"	16 3/8"	16 1/8"
	1 1/2"	20 3/8"	20 1/8"
10	1/2"	15 3/8"	15 1/8"
	3/4"	17 7/8"	17 5/8"
	1"	20 3/8"	20 1/8"
	1 1/2"	25 3/8"	25 1/8"

Note: Diffuser ID lengths 1/4" undersized nominal. For sizing not shown, please contact Shoemaker Manufacturing.

Surface Mount Dimensions (in inches)			
# OF SLOTS	SLOT WIDTH (F)	OVERALL WIDTH (C)	WIDTH OF BACK OF PLENUM (W)
1	1/2"	3 7/8"	1 5/8"
	3/4"	4 1/8"	1 7/8"
	1"	4 3/8"	2 1/8"
	1 1/2"	4 7/8"	2 5/8"
2	1/2"	5 3/8"	3 1/8"
	3/4"	5 7/8"	3 5/8"
	1"	6 3/8"	4 1/8"
	1 1/2"	7 3/8"	5 1/8"
3	1/2"	6 7/8"	4 5/8"
	3/4"	7 5/8"	5 3/8"
	1"	8 3/8"	6 1/8"
	1 1/2"	9 7/8"	7 5/8"
4	1/2"	8 3/8"	6 1/8"
	3/4"	9 3/8"	7 1/8"
	1"	10 3/8"	8 1/8"
	1 1/2"	12 3/8"	10 1/8"
6	1/2"	11 3/8"	9 1/8"
	3/4"	12 7/8"	10 5/8"
	1"	14 3/8"	12 1/8"
	1 1/2"	17 3/8"	15 1/8"
8	1/2"	14 3/8"	12 1/8"
	3/4"	16 3/8"	14 1/8"
	1"	18 3/8"	16 1/8"
	1 1/2"	22 3/8"	20 1/8"
10	1/2"	17 3/8"	15 1/8"
	3/4"	19 7/8"	17 5/8"
	1"	22 3/8"	20 1/8"
	1 1/2"	27 3/8"	25 1/8"

Note: Diffuser ID lengths 1/4" undersized nominal. For sizing not shown, please contact Shoemaker Manufacturing.